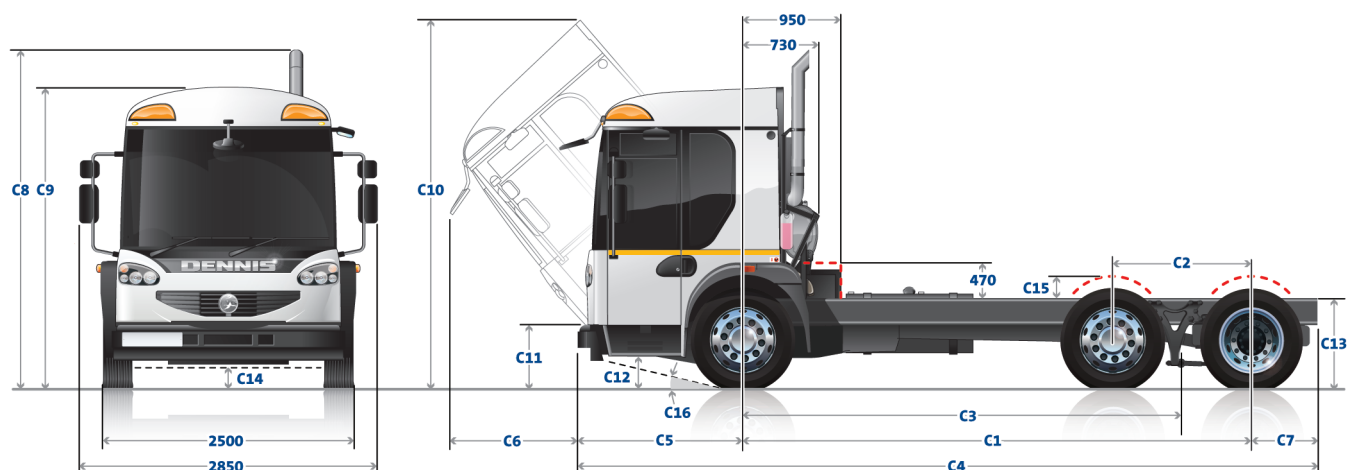


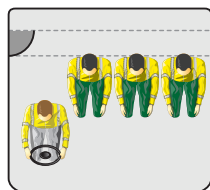
ELITE 2 - 6x2MS (Mid Steer)

Euro 5 EEV - Wide Track

SPECIFICATIONS

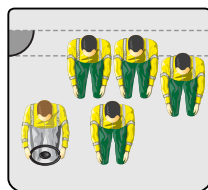


Seating position options



With locker

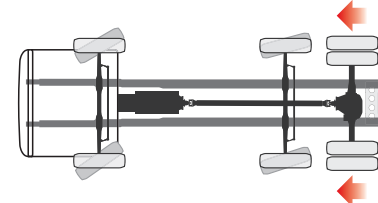
Driver +3



With locker (option)

Driver +4

Wheel plan



C1	Overall wheelbase	4700	5200	5500
C2	Axle 2-3 spread		1420	
C3	Theoretical wheelbase	4200	4670	4970
C4	Minimum overall length (650 rear overhang)	7015	7515	7815
Turning circle - overall (metres)		19.4	20.9	21.8
Maximum plated vehicle weight		23000/24000	25000	26000
Front axle maximum weight		8000 (7100*)		8000
Rear axle(s) maximum weight		17800	18600	
Unladen vehicle weight		6920	7020	7090
Front axle unladen weight		4215	4235	4245
Rear axle(s) unladen weight		2705	2785	2845
Tyres - axle 1		315/80R22.5*		315/80R22.5
Tyres - axle 2		295/80R22.5		
Tyres - axle 3		11R22.5 (optional 295/80R22.5)		
Tyres - axle 4		-		
Air 'assist' suspension - front axle		Optional (add 50 kg)		
Air suspension - drive axle		Standard		
C5	Front overhang	1665		
C6	Clearance - cab tilted	1800		
C7	Rear overhang	Minimum 650		
C8	Overall height to exhaust tip - nominal	3500		
C9	Cab roof height	3040		
C10	Cab roof height - tilted	3600		
C11	Cab floor height	805		
C12	Cab step height	435		
C13	Chassis frame height	940		
C14	Ground clearance at lowest part of vehicle	250		
C15	Minimum road wheel clearance	180		
C16	Approach angle	15.5°		

(*) Optional 295/80R22.5 tyres.

NOTE: Unless otherwise stated, all dimensions are nominal, in mm and represent an unladen vehicle fitted with standard tyres; tyre deflection is not included. On vehicles equipped with optional air suspension, heights may differ. All specifications are subject to manufacturers tolerances. An allowance of +/- 2% should be made for all weights. All weights are in kgs and include oil and water, and on diesel fuelled vehicles, AdBlue and 50 litres of fuel. Additional equipment may alter dimensions and weights quoted.

ELITE 2 - 6x2MS (Mid Steer)

Euro 5 EEV - Wide Track

SPECIFICATIONS

Cab

- Low floor with one step entry.
- Cromwell stainless steel construction.
- GRP moulded roof, wings and front grille.
- Manually operated hydraulic cab tilt mechanism.
- Standard seating for driver + 3 crew.
- Crew alternative with driver + 1 or driver + 4 accommodation.

Comfort & Safety

- Adjustable air suspended driver's seat with head and arm rest.
- Adjustable steering column.
- Individual crew seats with head rests.
- Integral 3-point inertia-reel seat belts for driver and crew.
- Washable vinyl seat trim.
- Heavy duty washable floor covering.
- Interior lamps with directable beam function.
- Tinted glass throughout.
- Electric windows with dual controls.
- Two half-width sun-blinds.
- Electrically adjustable/heated rear view mirrors.
- Heated wide-angle rear view mirrors.
- Kerb view mirror.
- 2 speed and intermittent windscreen wipers with electric washers.
- Heavy duty heater with 3 speed blower.
- Optional air conditioning.
- Adjustable fascia air vents.

Stowage

- Rear wet area with drip tray & optional vertical stowage cupboards for driver + 3 crew.
- Document stowage net.
- Roof console stowage cupboards.
- Coat hooks.
- Parking brake-actuator wind-off spanner and cab-tilt-pump handle behind driver's seat.
- Single optional vertical stowage cupboard for driver + 4.

Chassis Frame

- Pressed steel channel section, bolted construction.
- Front under-run protection.
- Frame width: 890 mm.
- Rail section: 260 x 100 x 10 mm.

Performance Data

- Maximum speed: 56 mph (speed limited).
- Stall gradeability: 260 bhp - 50%
300 bhp - 38%.

Engine

- Volvo (Euro 5) D7F 260/300 bhp, 6 cylinder, 7142 litre in-line diesel.
- Electronic fuel injection.
- SCR treatment with Pre-CAT & CAT Filter required for Euro 5 compliance.
- Maximum power: 260 bhp 195 kW
300 bhp 225 kW.
- Maximum torque: 260 = 1010 Nm @ 1200 - 1800 rpm
300 = 1153 Nm @ 1200 - 1800 rpm.

Fuel System

- 160 litre (36 gallon) or 240 litre (53 gallon) fuel tank (subject to space).
- Fuel micro-filter, heater & pump filter.
- 25 litre AdBlue Reservoir.
- NOx Control to Euro 5 Standard.

Exhaust

- Over engine exhaust with Volvo SCR Catalytic Converter, Pre-CAT and vertical stack pipe.

Gearbox

- Allison MD 3000, 6 speed automatic.
- Electronic push-button control.
- Ratios:

1st	3.487	5th	0.750
2nd	1.864	6th	0.650
3rd	1.400	Reverse	5.027
4th	1.000		

Axles

Steer

- Dana NDS80 forged "I" section.
- STS8000 Tubular fabricated.
- Design capacity: 8000 kg.

Drive

- Dana G171 series.
- Ratio: 6.83:1.
- Design capacity: 12000 kg.

Suspension

Front

- Twin leaf parabolic springs.
- Optional air assisted suspension.
- Telescopic dampers.

Mid

- Trailing arm air.
- Optional partial air dump in line with GB "Authorised Weights" Regulations.
- Telescopic dampers.

Drive

- Self-levelling air suspension.
- Telescopic dampers.

Steering

- Integrally powered recirculating ball.
- 5 turns lock to lock (approx).

Brakes

- Full air - Twin circuit.
- 5 channel ABS.
- Traction control (ASR).
- Disc brakes to all wheels.
- Automatic adjustment.
- Asbestos free pads.
- 4 wheel parking brake.
- Water-cooled compressor: Twin cylinder - 720 cc.
- Audible and visual "low air" warning in cab.

Road Wheels

- Pressed steel spigot mounted 10 stud wheels, 22.5 in. diameter.

Electrical System

- 24 volt, negative earth.
- Battery: Low maintenance, with 120 ampere/hour capacity.
- Alternator: 100 amp.
- Twin auxiliary main beam lamps.
- Electrically adjustable headlights.
- Integral roof beacons.
- In-dash 12 V power supply socket.
- Provision for Tachograph & radio/CD player in header panel (4 speakers fitted as standard).
- Provision for weighing systems and monitor/display units in header panel (3 DIN slots).
- On-board diagnostics within display unit with 12/24 hour digital clock.
- Electronic instruments include - speedometer - tachometer - coolant temperature - fuel level - AdBlue level gauge and service brake air pressure gauge.
- Access to fuses and relays in fascia.
- Integrated CANBus/control screen when supplied with Dennis Eagle Olympus Body.

Options

For more details of specifications and options please consult a Dennis Eagle Sales representative.

Dennis Eagle Ltd. (the company) reserves the right to change the specification, design, material, procedures and dimensions of the vehicles described herein without prior notice at any time in the future, in accordance with the company's constant product improvement policy.